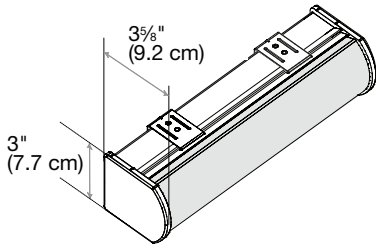
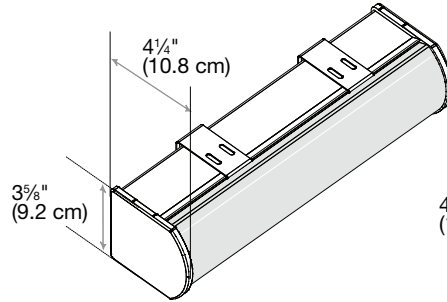


Size Considerations

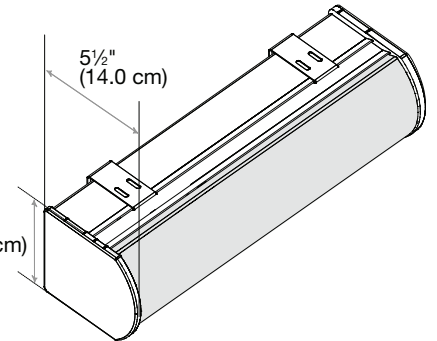
The following diagrams illustrate the mounting depth requirements for shades mounted inside window casements.



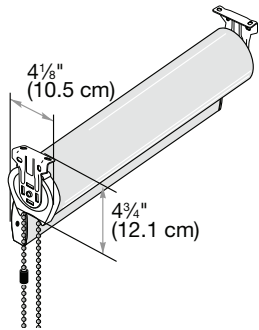
Small Cassette Valance
1 5/8" (3.5 cm) Minimum Inside Mount



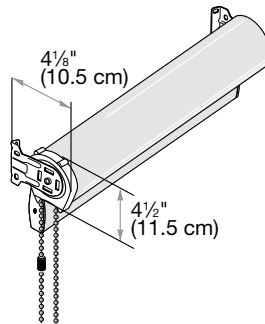
Medium Cassette Valance
1 3/4" (4.5 cm) Minimum Inside Mount



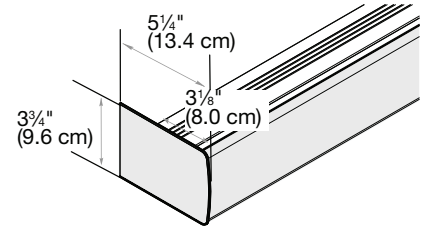
Large Cassette Valance
1 3/4" (4.5 cm) Minimum Inside Mount



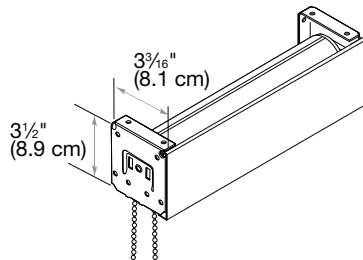
No Valance*
4 1/8" (10.5 cm) Minimum Inside/Top Mount



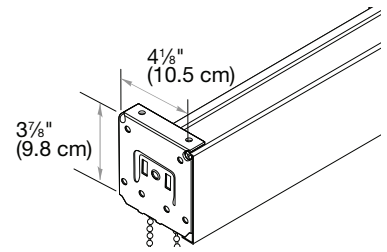
No Valance*
3/4" (2.0 cm) Minimum Inside/Side Mount



Contour Valance
2 7/16" (6.2 cm) Minimum Inside Mount
(return can be trimmed)



3" (7.7 cm) Fascia
2 3/4" (7.0 cm) Minimum Inside/Top Mount
3/4" (2.0 cm) Minimum Inside/Side Mount



4" (10.2 cm) Fascia
3 3/4" (9.6 cm) Minimum Inside/Top Mount
1 1/2" (3.9 cm) Minimum Inside/Side Mount