

BetterFIT™

dual shade

INSTALLATION INSTRUCTIONS



BetterFIT™ Cordless Dual Shades - Installation Instructions

Installing your BetterFIT™ shade

Carefully unwrap and place on a clean surface.

Attach base frame to each side frame using 2 corner joints, lining up with the correct punch hole positions as shown opposite.

Tighten the 4 screws on each of the corner joints.



Slide the top section into the rest of the frame, attach the end caps and then tighten the screws on each joint.



Securing Bottom Bar

Attach end caps and fix one side in position at a slight angle then place the opposite side into position. Please ensure that the bottom bar sits behind the grooving.

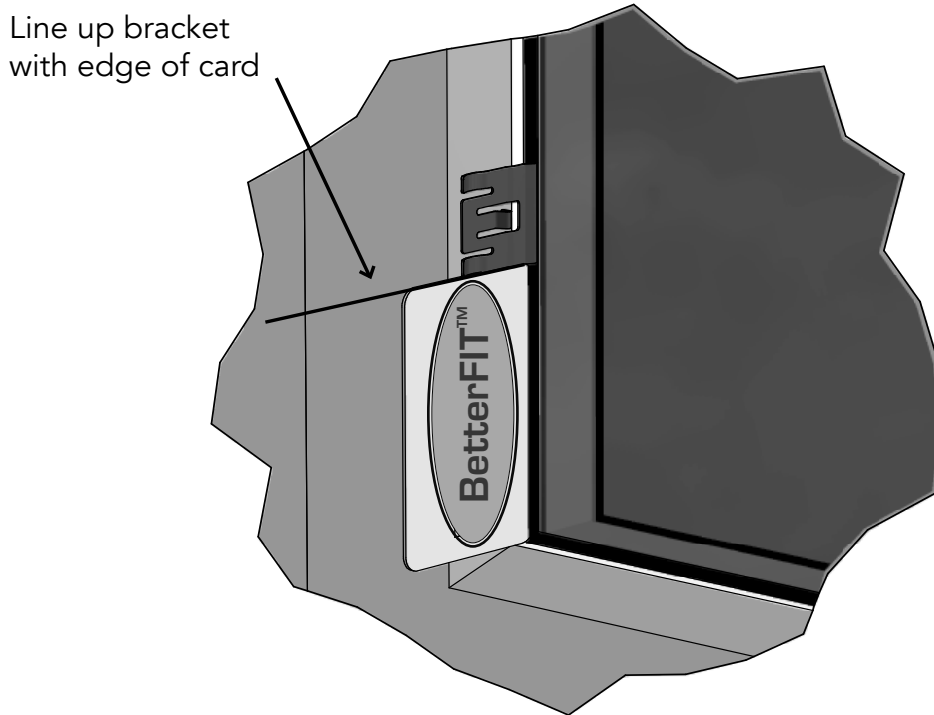


BetterFIT™ Cordless Dual Shades - Installation Instructions

Installing your BetterFIT™ shade

To ensure all brackets are in the correct position for fitting, use the credit card supplied in the corner of the window to locate the bracket position.

For ease of insertion, use a lubricant in the form of washing up liquid on the base of each bracket.



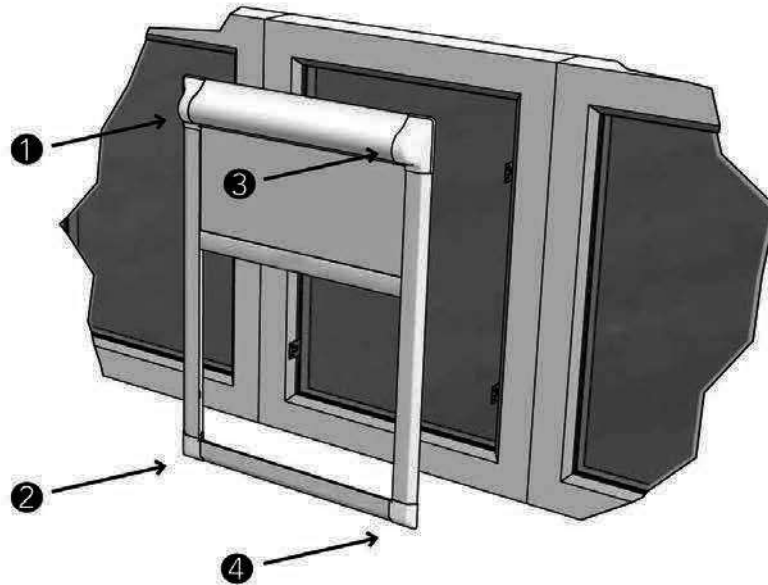
Line up the bracket with the base or top of the credit card (depending on which corner of the window you are working) and fit the bracket by pushing it between the glass and the rubber seal of the window.

Repeat for all 4 corners of the window, and intermediate brackets (if required) then clean excess lubricant prior to fitting the frame.

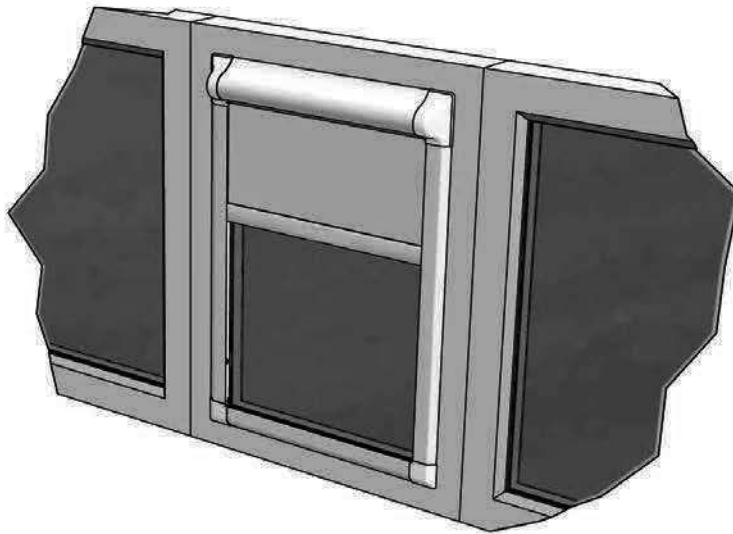
BetterFIT™ Cordless Dual Shades - Installation Instructions

Installing your BetterFIT™ shade

Line up the holes in the frame with the brackets.



Firmly press the frame down onto each bracket.
Fit one side at a time for an easier installation, 1, 2, 3, 4.



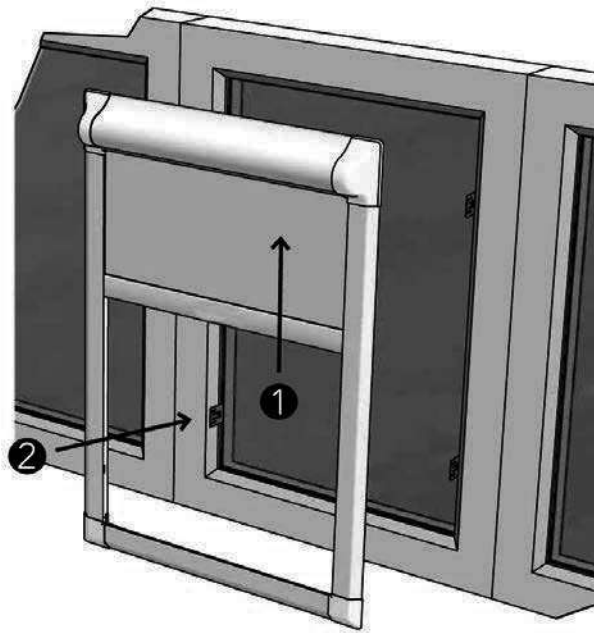
Your shade is now installed.

BetterFIT™ Cordless Dual Shades - Installation Instructions

How to Remove the Shade

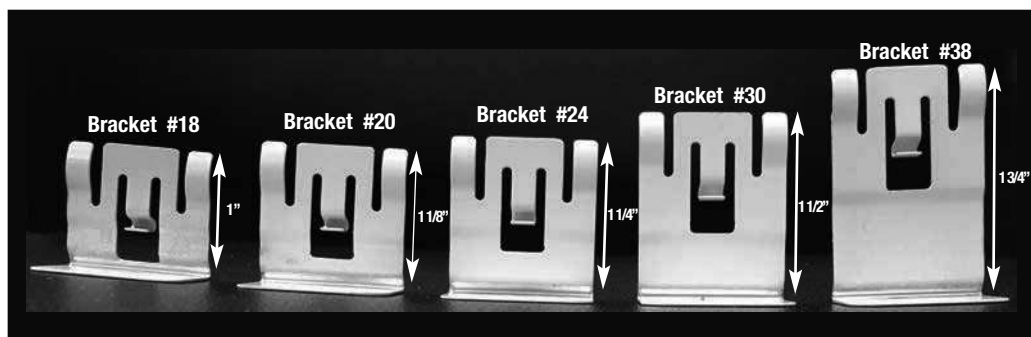
Return shade to the top of the window.

Remove 1 side at a time by depressing button in the bracket and sliding the frame out.



Brackets

To ensure the best fit between your BetterFIT™ frame and your window, we will select and ship with your order the bracket that is most ideally suited to your bead depth.



we will choose between 5 bracket sizes (from 1" to 1 3/4") to accommodate varying bead depths.

Brackets are available in White, Silver or Brown and colour coordinated with framing colour