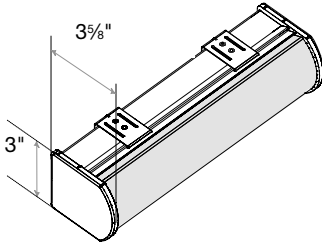


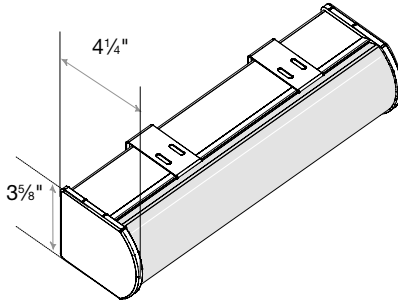
Size Considerations

Continuous-Loop Lift,

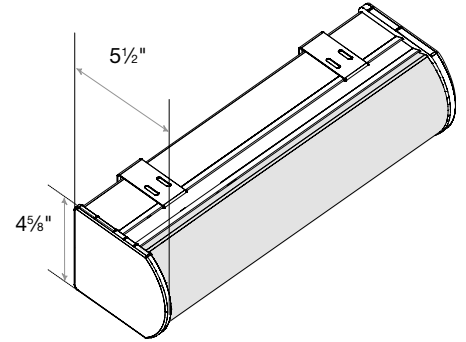
The following diagrams illustrate the mounting depth requirements for shades mounted inside window casements.



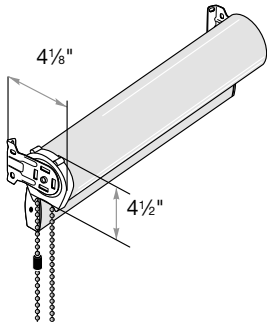
Small Cassette Valance
1 5/8" Minimum Inside Mount



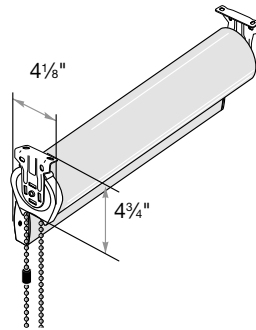
Medium Cassette Valance
1 3/4" Minimum Inside Mount



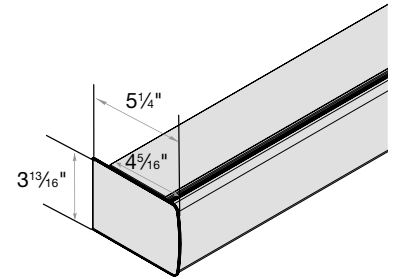
Large/Dual Cassette Valance
1 3/4" Minimum Inside Mount



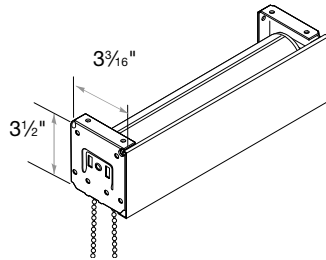
No Valance*
3/4" Minimum Inside/Side Mount



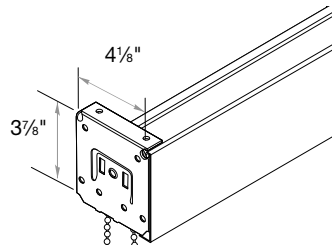
No Valance*
4 1/8" Minimum Inside/Top Mount



Contour Valance
3 1/2" Minimum Inside Mount
(return can be trimmed)



3" Fascia
2 3/4" Minimum Inside/Top Mount
3/4" Minimum Inside/Side Mount



4" Fascia
3 3/4" Minimum Inside/Top Mount
1 1/2" Minimum Inside/Side Mount